

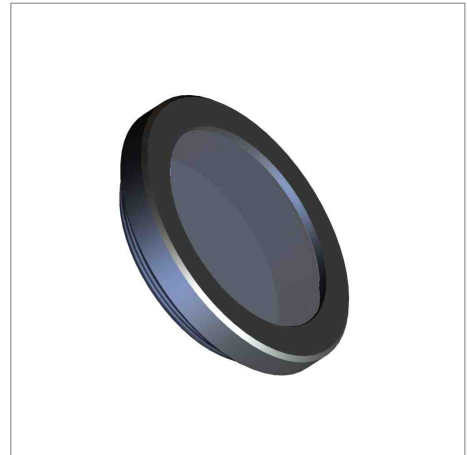
Accessories

vicotar®

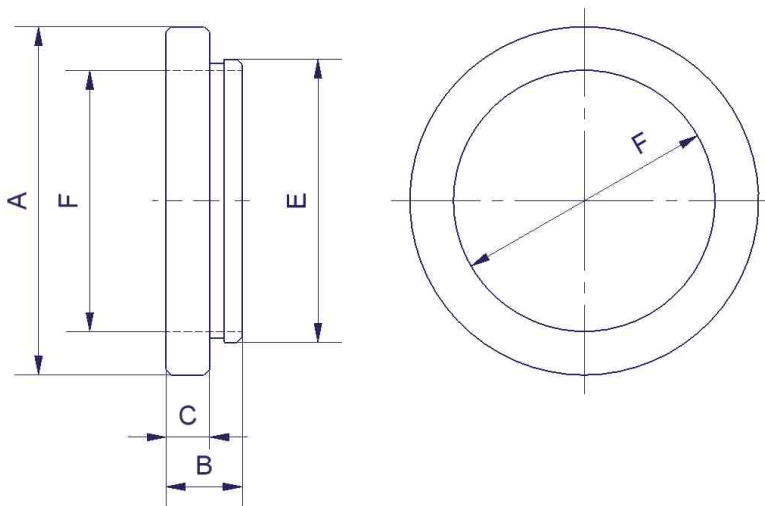
Polarisation filters

Product features

- In imaging systems, polarization filters are used for selectively allowing polarized light to pass
- Polarized light waves oscillate in a single plane only
- Polarization filters are used either for preventing glare from shiny objects or for special measuring tasks
- Non-reflecting
- Standardized thread



Drawing



Notes



Accessories

vicotar® Polarisation filters

Optical data

Name	Order no.	External diameter A [mm]	B [mm]	C [mm]	E	Free inner diameter F [mm]
Pol M19 x 0,5	2-91-142	21	6,5	4,3	M19×0,5	15,8
Pol M25,5 x 0,5	2-91-225	27	6,5	4,5	M25,5×0,5	22
Pol M27 x 0,5	2-91-226	29	6,5	4	M27×0,5	25
Pol M34 x 0,5	2-91-228	40	15	5	Ø 34 mm	30
Pol M35,5 x 0,5	2-91-222	37	7	4,5	M35,5×0,5	32
Pol M39 x 0,5	2-91-140	40,5	7	5	M39×0,5	35
Pol M40,5 x 0,5	2-91-220	42	6,5	4	M40,5×0,5	36
Pol M46 x 0,75	2-91-221	48	8	5,5	M46×0,75	41
Pol M52 x 0,75	2-91-144	54	6,5	4	M52×0,75	48
Pol M67 x 0,75	2-91-145	70	6,5	4	M67×0,75	63
Pol M100 x 1	2-91-146	104	9	6	M100×1	83

Accessories

Filter adapter M26x0.5 - M27x0.5 Order no. 2-91-112