

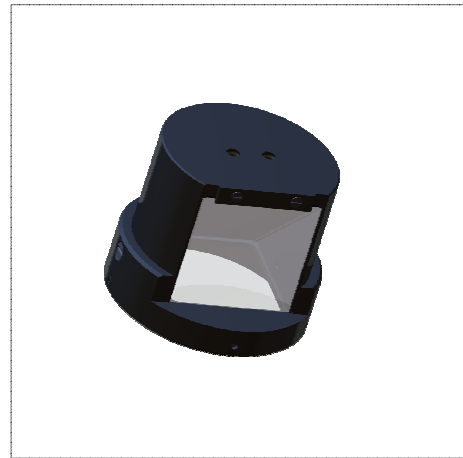
90° prism deflector

vicotar®

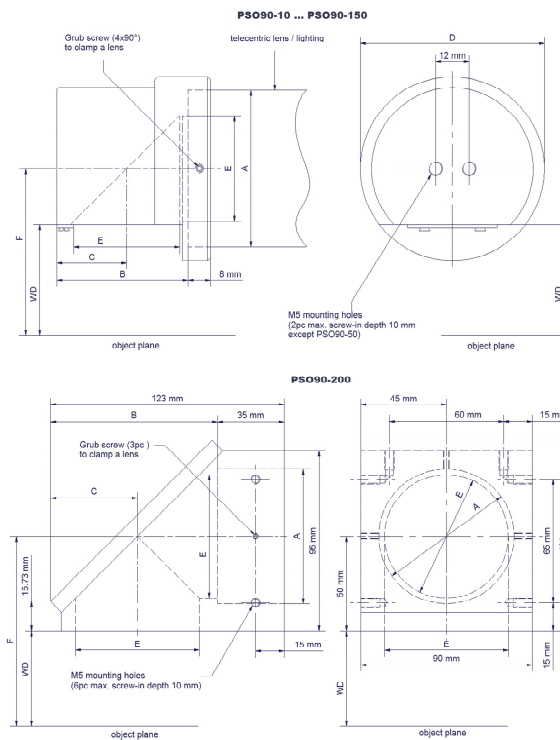
PSO90 series

Product features

- Attachment in front of telecentric lens for less accessible places
- The beam is deflected 90°
- Swivel construction, can be fixed



Drawing



Download Manual



Download CAD-File



Properties

Mechanical properties

M5 mounting holes (2pc, max. screw-in depth 10mm); PSO90-200 6pc M5- mounting holes
 Grub screws to clamp a lens
 Environmental temperature -10°C ... 50°C

90° prism deflector

vicotar® PSO90 series

Mechanical data

| Name | Order no. | Lens diameter A [mm] | Lens extension B [mm] | Height C of the optical axis [mm] | Max. diameter D of the prism table [mm] | Free field of view E [mm²] | Weight [g] |
|------------|-----------|----------------------|-----------------------|-----------------------------------|---|----------------------------|------------|
| PSO 90-10 | 2-25-116 | 35.5 | 29 | 16 | 42 | 18 x 18 | 80 |
| PSO 90-45 | 2-25-110 | 34 | 29 | 16 | 42 | 18 x 18 | 81 |
| PSO 90-80 | 2-25-112 | 25 | 29 | 16 | 42 | 13 x 13 | 83 |
| PSO 90-100 | 2-25-113 | 32 | 29 | 16 | 42 | 18 x 18 | 85 |
| PSO 90-107 | 2-25-114 | 42 | 37 | 20 | 50 | 28 x 28 | 155 |
| PSO 90-150 | 2-25-115 | 56 | 47 | 25 | 66 | 38 x 38 | 320 |
| PSO 90-200 | 2-25-124 | 71 | 87 | 45.6 | - | Ø 65 mm | 1010 |

Selection table for telecentric vicotar® lenses and telecentric vicolux® lighting

| Name | Order no. | Supported telecentric vicotar lenses | Resulting working distance WD from prism [mm] | Height F of camera axis above object [mm] | Supported telecentric vicolux lightings |
|------------|-----------|--------------------------------------|---|---|---|
| PSO 90-10 | 2-25-116 | Microscope lens 10x | 24 | 33 | - |
| | | T10/9.7L | 22.5 | 31.5 | |
| | | T10/7.4L | 23 | 32 | |
| PSO 90-45 | 2-25-110 | Microscope lens 5x | 38.5 | 47.5 | - |
| | | Microscope lens 3x | 50 | 59 | |
| | | Microscope lens 1x | 53.5 | 62.5 | |
| | | T42/1.4 | 76.5 | 85.5 | |
| | | T43/1.4 | 76.5 | 85.5 | |
| | | T45/5.0L | 38.5 | 47.5 | |
| | | T45/4.0L | 41 | 50 | |
| PSO 90-80 | 2-25-112 | T80/1.0L | 89.5 | 100 | - |
| | | T80/1.0L | 89.5 | 100 | |
| PSO 90-100 | 2-25-113 | T51/1.7 | 24 | 35 | - |
| | | T51/1.4 | 3 | 14 | |
| | | T51/1.2 | 8.5 | 19.5 | |
| | | T51/1.0 | 16.5 | 27.5 | |
| | | T51/0.8 | 26.5 | 37.5 | |
| | | T51/0.7 | 37.5 | 48.5 | |
| | | T100/0.7 | 15.5 | 26.5 | |
| | | T100/0.6 | 51 | 62 | |
| | | T100/0.48 | 77.5 | 88.5 | |
| | | T100/0.39 | 7 | 18 | |
| | | T100/0.36 | 46.5 | 58 | |
| PSO 90-107 | 2-25-114 | T107/0.83 | 66.5 | 81.5 | TZB10 series, TZB30 series |
| | | T107/0.39 | 81.5 | 96.5 | |
| | | T107/0.36 | 59.5 | 74.5 | |
| | | T107/0.33 | 52.5 | 67.5 | |
| | | T107/0.25L | 71.5 | 86.5 | |
| | | T107/0.25 | 49.5 | 64.5 | |
| | | T107/0.2 | 22.5 | 37.5 | |
| PSO 90-150 | 2-25-115 | T150/0.25 | 65.5 | 85.5 | TZB51 series |
| | | T150/0.19L | 258.5 | 278.5 | |
| | | T150/0.19 | 68.5 | 88.5 | |
| | | T150/0.17L | 243.5 | 263.5 | |
| | | T150/0.14 | 27.5 | 47.5 | |
| | | T151/0.44 | 156.5 | 176.5 | |
| | | T151/0.39 | 179.5 | 199.5 | |
| | | T152/0.36 | 66.5 | 86.5 | |
| | | T151/0.30 | 141.5 | 161.5 | |
| T151/0.26L | 233.5 | 253.5 | | | |

90° prism deflector

vicotar®

PSO90 series

Selection table for telecentric vicotar® lenses and telecentric vicolux® lighting

| Name | Order no. | Supported telecentric vicotar® lenses | Resulting working distance WD from prism [mm] | Height F of camera axis above object [mm] | Supported telecentric vicolux® lightings |
|------------|-----------|---------------------------------------|---|---|--|
| PSO 90-200 | 2-25-124 | T201/0.42 | 117 | 167 | TZB60 series |
| | | T201/0.30 | 64 | 114 | |
| | | T201/0.28L | 181 | 231 | |
| | | T201/0.26 | 37 | 87 | |
| | | T201/0.19 | 50 | 100 | |
| | | T201/0.19L | 191 | 241 | |
| | | T201/0.15 | 43 | 93 | |
| | | T201/0.13L | 180 | 230 | |
| | | T201/0.12 | 42 | 92 | |